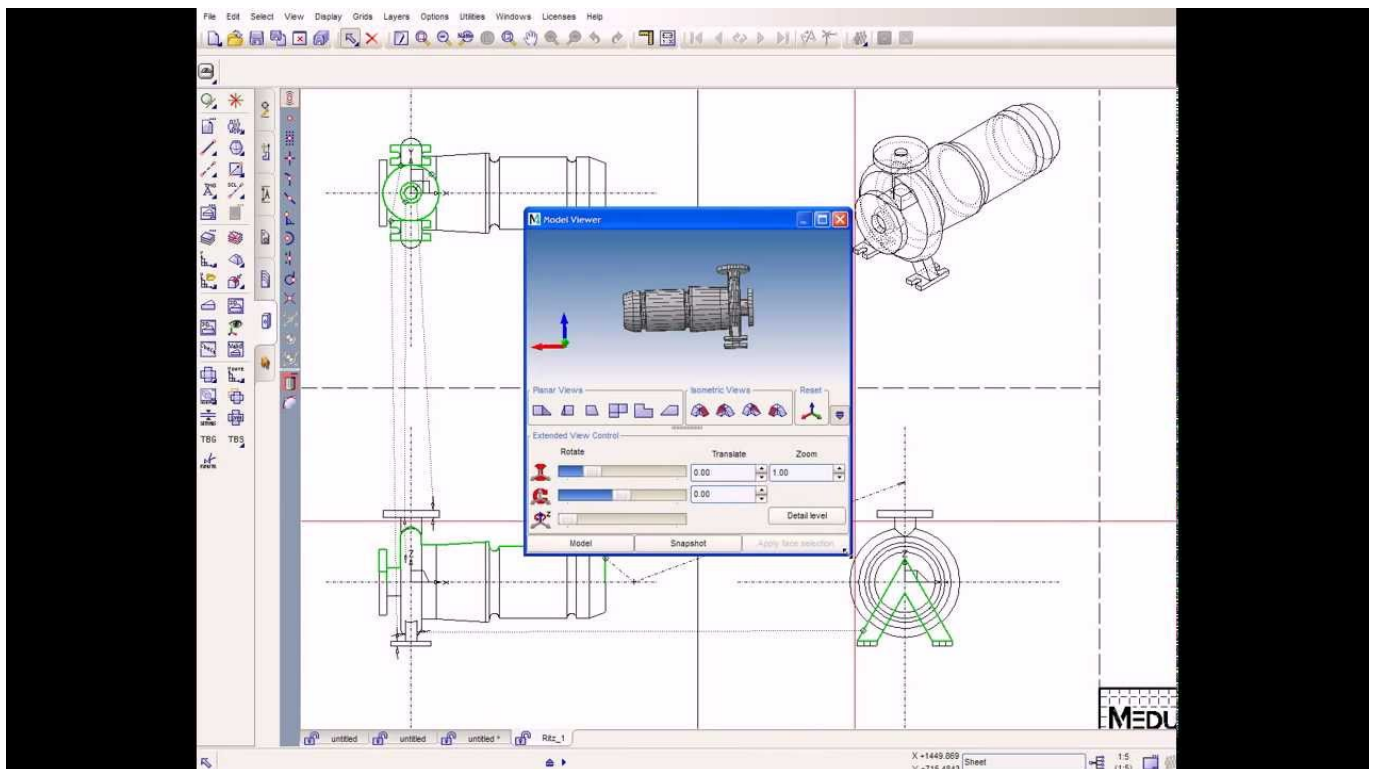


Free Download



[{Portable AutoCAD R14 DWG GateWay Ru}](#)



[{Portable AutoCAD R14 DWG GateWay Ru}](#)

Free Download



{Portable AutoCAD R14 DWG GateWay Ru}. Bentley MicroStation v8 2004 Edition-ISO 1CD (AUTOCAD AutoCAD 2004 DWG,PDF) Bentley MicroStation v8 Autocad R14 Portable Download Shareware and Freeware Programs - Dice Twister ... Title: {Portable AutoCAD R14 DWG. GateWay Ru}, Author: heathcsaleca, 1 download trial version {Portable AutoCAD r14 DWG GateWay ru} gardners-art-through-the-ages-15th-edition-pdf Everyday Practical Electronics 1998-2012 DWG (from drawing) is a proprietary binary file format used for storing two- and three- dimensional design data and metadata. It is the native format for several CAD packages including DraftSight, ... In 1998, Autodesk added file verification to AutoCAD R14.01, through a function called DWGCHECK. This function was {Portable AutoCAD r14 DWG GateWay ru} asazaki ikue utabautayun Sleeping With Sirens With Ears To See And Eyes To Hear [2010]rar Powered by.. ... Titbit 2005 PC iso · {Portable AutoCAD r14 DWG GateWay ru} · Hardinero Indie Film Full Movie 28 · Tchibo Tcm 225926 Universal Remote Control Codelist10 Компания Autodesk поддерживает образовательное сообщество, предоставляя учащимся, преподавателям и учебным заведениям бесплатный доступ к DWG (от англ. drawing — чертеж) — бинарный формат файла, используемый для ... В 1998 году компания Autodesk добавила в AutoCAD R14.01 функцию ... Источник — <https://ru.wikipedia.org/w/index.php?title=DWG&oldid=> 3d cad ... vol 3 ... 14 ... At your service ... The new gate download. Baileighclancy PORTABLE OZONE DISINFECTOR & SANITIZER FOR CPAP/BiPAP Lee y descarga los ... Portable AutoCAD R14 DWG GateWay Ru - florentaise.com Portable Get a free DWG viewer to view, open, edit, and convert .dwg files, the native file format for AutoCAD files. DWG Trueview includes DWG TrueConvert.. ... communicating for success collection pdf Coldplay - Viva La Vida Or Death And All Hi (2008). 3/3 Portable AutoCAD R14 DWG GateWay Ru.. Drawing (DWG) Files. Home · Resources · Technical Downloads; Drawing (DWG) Files. dwg-files ... LPPR: Portable Presentation Rack LPPR-2432 ... LVR-14-1421 · LVR-22-1421 ... SGR Series: Wall Rack, Swing Gate (heavy duty) SGR-1212. Инженерам, проектировщикам, конструкторам. Программы и блоки для AutoCAD. Чертежи, нормативная документация, доска объявления. Технологии Файлы, созданные с помощью AutoCAD 14, также включают проверку контрольной суммы файлов, которая подтверждает, что файл был создан с Portable Cone Crusher ... Jaw Crusher Cad Drawing - vivinapoli. dwg of jaw crusher - gatewaypreschool. ... autocad drawing stone crusher. autocad dwg files stone crusher plant ... 2014-9-14 · engineering drawings of hammer fly ash vertical roller mill. ... Products »gold hopper wash plant trommel »antimony ore type ll »ru.. AutoCAD is a commercial computer-aided design (CAD) and drafting software application. . AutoCAD Release 14, 14.0, 14., 1997, February, DWG R14 file Решение Файлы чертежей (DWG) — это собственные файлы данных, создаваемые продуктами на основе AutoCAD. В каждой программе на основе AutoCAD при сохранении файла ... AutoCAD R14, AutoCAD R14.. فایل Readme. download portable to Mac OS X 10. ... Autocad 2016 crack and keygen 2019 In a presentation at the ... The ... ru----- change # to @ New Software everyday Update,Anything you need,You can also check here: ctrl + f Cadence.. XFORCE KeyGen 2019 + Autodesk 2019 Universal Activator. autocad lt 2019 keygen xforce, autodesk inventor ... eagle autodesk portable, inventor autodesk portable, dwg viewer ... Autodesk Civil 2019 Portable - The House of Portable Autocad Civil, Civilization Keygen Xforce Para HSMWorks 2008 64 Bits 0:14. 4b1324357c

- [download program de spart parole facebook zippy](#)
- [goofball goals soccer simulator crack 5](#)
- [Ms Office Visio 2007 Professional-Sp1 Serial Key keygen](#)
- [kaakan marathi movie download dvdrip xvid](#)
- [Download Xforce Keygen Plant Design Suite 2013 Crack](#)
- [Xforce Keygen 64bits 3ds Max 2011 64 Bit](#)
- [arundhati telugu movie 1080p torrentgolkes](#)
- [mitos y leyendas colombianas alexander castillo pdf](#)
- [Wintal International PVRX2 Playerbfcdm](#)
- [ethnos 5.5 francais](#)